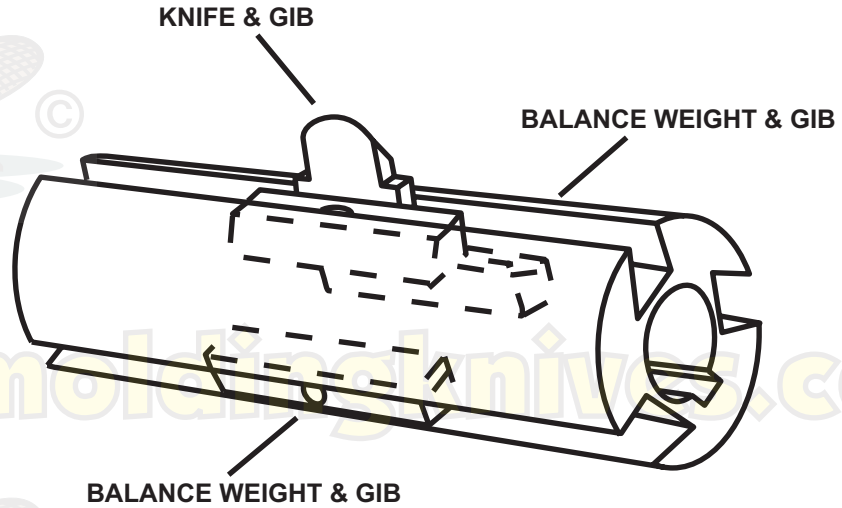
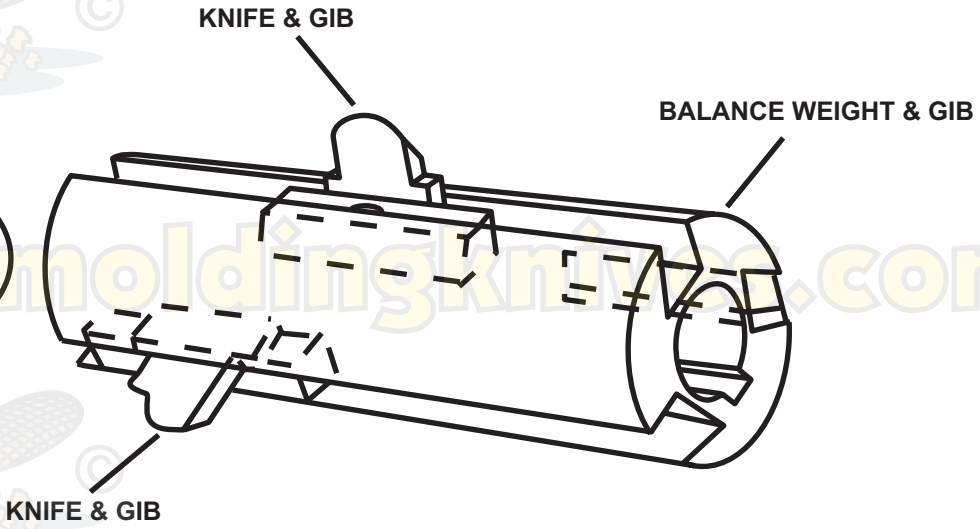


KNIFE INSTALLATION IN THE PLANER HEAD

**SINGLE
KNIFE
INSTALLATION**



**TWO
KNIFE
INSTALLATION**



**THREE
KNIFE
INSTALLATION**

